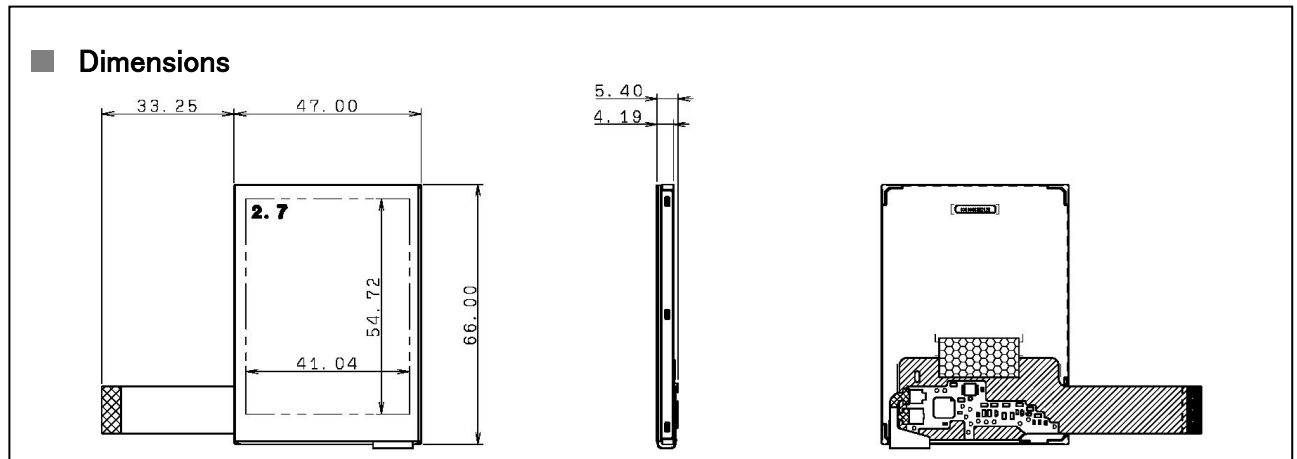


#### ■ Features

- Portrait, 2.7 inch QVGA resolution with touch panel.
- High outdoor readability with low backlight power.
- Wide viewing angle LCD module.
- TC, Power-circuit on panel.



#### ■ Specifications

**RoHS compliant**

| Items                  | Specifications  | Units             | Notes   |
|------------------------|---|-------------------|---------|
| Display Size           | 6.8 (2.7)   | cm (inch)         |         |
| Display Format         | 240 X RGB X 320 Stripe  | --                |         |
| Dot Pitch              | 57.0(H) X 171.0(V)  | μ m               |         |
| Outline Dimensions     | 47.0 (H) X 66.0 (V) X 4.19 (D)  | mm                |         |
| Weight                 | 25.0  | g                 |         |
| Number of Colors       | 262,144   | --                |         |
| Brightness             | 340 (TYP)   | cd/m <sup>2</sup> | at 10mA |
| Viewing Angle(U/D/L/R) | 80/80/80/80   | deg.              | CR ≥ 10 |
| Input Signal Type      | Digital RGB signal (each 6 bit parallel)  | --                |         |
| Power Supplies         | 3.0 (without B/L)   | V                 |         |
| Operating Temperature  | -20 ~ +70   | °C                |         |
| Storage Temperature    | -30 ~ +80   | °C                |         |
| Backlight              | LED Backlight   | --                |         |
| Remarks                | The adjustment of VCOMDC value is not required./Touch panel (Glass-Film, Clear finish on surface) |                   |         |

※ Specifications are subject to change without notice.

2010.04.01

## ORTUS TECHNOLOGY CO., LTD.

Sales HQ, Overseas Sales Dept.

2951-5 Ishikawa-machi, Hachioji City, Tokyo 192-8556, Japan

TEL +81-42-639-5121 FAX +81-42-639-5034

<http://www.ortustech.co.jp>

All Rights Reserved, Copyright (C) ORTUS TECHNOLOGY CO., LTD.

Contact